

MERCURY

Manual Flash Curing Unit

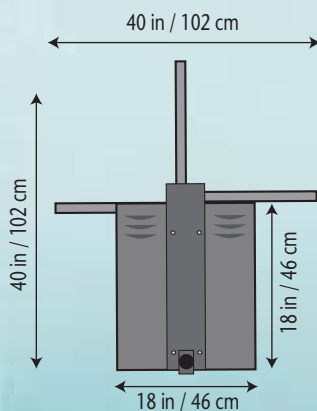
PRODUCT FEATURES

- Oversized 18x18" (46x46cm) Panel
- Heavy-Duty On/Off Breaker Switch
- Louvered Hood
- Locking Casters
- Heavy Duty Stand
- Adjustable Height
- Easy Rotation

PERFORMANCE FEATURES

	M1818 115vac	M1818 230vac
Size of Printed Image	+ BETTER	+ BETTER
Flash Curing Speed	✓ GOOD	+ BETTER
Flash Curing Time Control	✓ GOOD	✓ GOOD

The Mercury Flash Curing Unit offers 21% more heating area and more standard features than comparably priced 16x16" units. This quick-curing flash cure unit is a must for light on dark printing. The louvered hood helps keep electronic components cool while the locking casters make it convenient to move around your shop.



PART	DESCRIPTION	POWER
11002	MERCURY M1818, Manual Flash Cure, 18X18"	115VAC, 50-60Hz, 1950Watts, 17Amps
11003	MERCURY M1818, Manual Flash Cure, 18X18"	230VAC, 50-60Hz, 2500Watts, 11Amps