

LUMITRON

UV Fluorescent Screen Exposure System



PERFORMANCE FEATURES

- Image Resolution: ✓ **Good**
- Screen Size: + **Better**
- Daily Screen Throughput: ✓ **Good**
- Direct Emulsion Or Capillary Film Type: ✓ **Good**

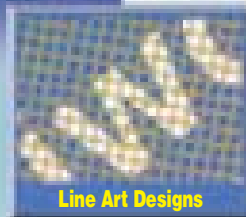
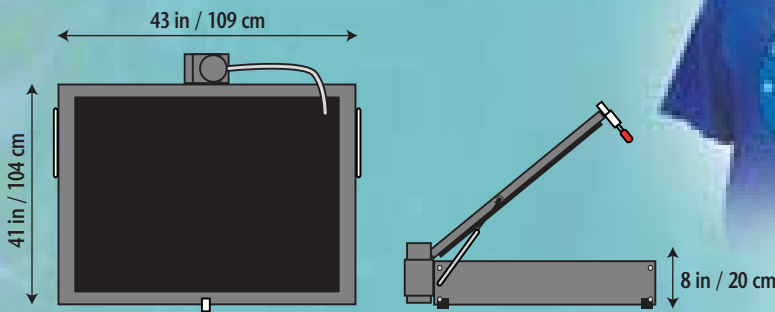
PRODUCT FEATURES

- UV Fluorescent Light Source
- Balanced Light Distribution
- Large Screen Capacity
- Compact Design
- Digital Auto-Shut-Off Timer with Auto-Repeat Function
- Durable Hold-Down Blanket
- Powerful Vacuum Hold-Down



Lumitron Controls

Lumitron is a great starter exposure unit and well suited for those producing simple athletic or commercial designs. The UV fluorescent light source is balanced to maintain consistent definition in finely detailed designs. The digital timer and powerful vacuum pump help you produce professional, high quality screens right from the start. The compact size conserves space while the large screen capacity is well matched with today's large print sizes.



PART	DESCRIPTION
11598	LUMITRON L2331, UV Fluorescent Screen Exposure System, 23X31" (58.4x78.7cm) MAX SCREEN, 115VAC , 50-60 Hz, 7amps
11599	LUMITRON L2331, UV Fluorescent Screen Exposure System, 23X31" (58.4x78.7cm) MAX SCREEN, 230VAC , 50-60 Hz, 5amps